



SCHOOL OF ARCHITECTURE & PLANNING

IUST AWANTIPORA

Information Brochure
2023-24





Prof. Manzoor Ahmad Malik

THE DEAN'S WELCOME

I take this opportunity to warmly welcome you to the School of Architecture and Planning, IUST. Architecture is truly interdisciplinary in the sense that it encompasses everything ranging from culture, heritage, environment, critical thinking etc. to rural and urban planning, landscaping, and designing aesthetically pleasing structures.

Honing the natural artistic and creative abilities and providing the right environment to explore your hidden capabilities is at the heart of our curriculum design and training. While adhering to the Council of Architecture guidelines, visits to the rich architectural heritage sites combined with on-site learning is a value-added component of the curriculum. The school has highly qualified, well trained, competent, and friendly faculty, with diverse national and international experience, who would make sure that your academic pursuits are an enjoyable experience.

THE HEAD'S MESSAGE

Welcome!

The Department of Architecture, established in the year 2020, is a new department at the University. It has already been at the forefront of establishing and promoting values of creativity, design, and ethos of architecture in the campus and beyond. Our brilliant and capable faculty who are trained in various specialized disciplines of Architecture and Design create a conducive and inclusive learning environment in the studios and on site. At the Department of Architecture, we believe in imparting a holistic training in architecture and design, inculcating in our students skill, knowledge, capacity, and confidence to shape and transform our built environment and simultaneously address the challenges of climate change, sustainability and equitable development.

Mr. Mehran Qureshi



Contact:

hodarchitectureiust@iust.ac.in

<https://iust.ac.in/>

PHONE : 01933-247252

9906400789 9858306455

Address:

1-University Avenue,
Awantipora, Pulwama 192122, J&K

REACH OUT TO US...



Approved by Council of Architecture, New Delhi

DEPARTMENT OF ARCHITECTURE

The Department of Architecture was established in the year 2020 under the School of Architecture and Planning at Islamic University of Science and Technology Awantipora

BACHELOR'S OF ARCHITECTURE

Min Duration : 10 Semesters

Intake : 40

ABOUT THE COURSE

The Department currently offers **5 years Bachelor's Degree program** in Architecture. Bachelor of Architecture (B. Arch) focuses on the subjects from the fields of art, design, technology, social sciences and the professional practice of architecture.

B. Arch program is a generous mix of both theory and studio exercises as well as practical sessions. As per the **Council of Architecture (New Delhi)**, the course is now divided into two distinct stages: a **Basic Stage** and an **Advanced Stage**.

The **Basic stage or Stage 1** comprises of Semester 1 to Semester 6 and the **Advanced Stage** or Stage 2 comprises of Semester 7 to Semester 10.

In Semester 8, students go on a **100-day Professional training to a Registered Architectural Firm**. In Semester 9 and 10, students deal with more complex and advanced architectural projects and also complete the **Design Dissertation** through Semester 9 and 10 before they complete the B. Arch Course.

"ARCHITECTURE IS A WAY OF THINKING ABOUT THE WORLD VERY SIMILAR IN STRUCTURE TO WRITING A BOOK, SINCE BOTH DISCIPLINES REPRESENT THE SAME FIELD AND DOMAIN" - REM KOOLHAAS



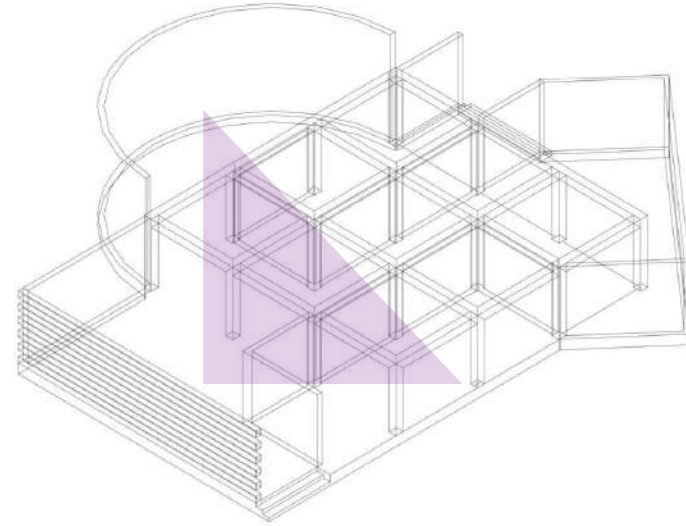
Candidates who have passed an examination at the end of the **10+2 scheme of examination with at least 50% aggregate marks in Physics, Chemistry and Mathematics** and also at least 50% marks in aggregate of the 10+2 level examination or passed **10+3 Diploma examination with Mathematics** as compulsory subject with at least 50% marks in aggregate.

In addition to above, the **candidates need to qualify an Aptitude Test in Architecture conducted by Council of Architecture (NATA) Or JEE Paper II**

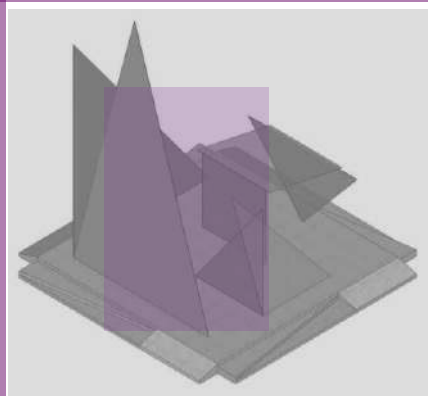
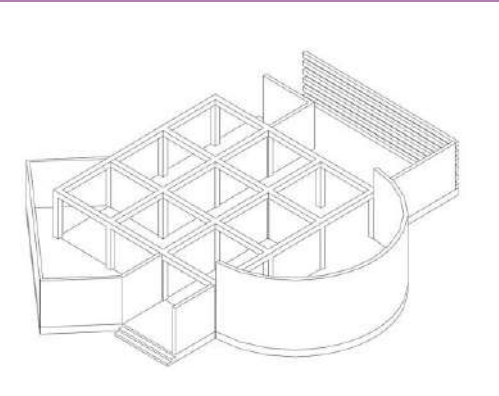
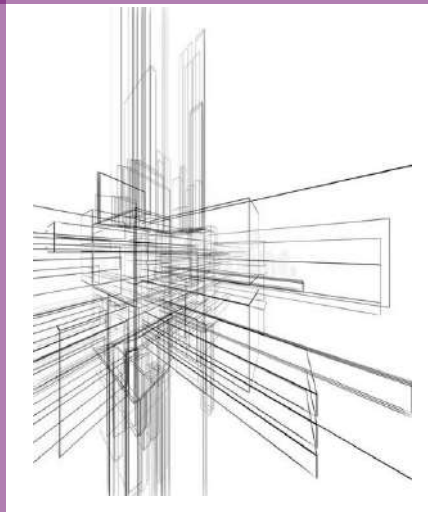
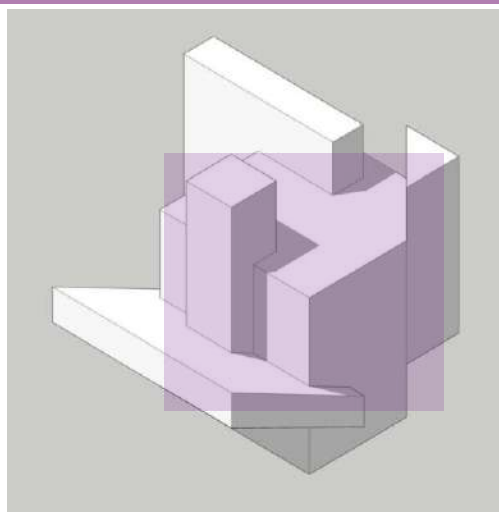
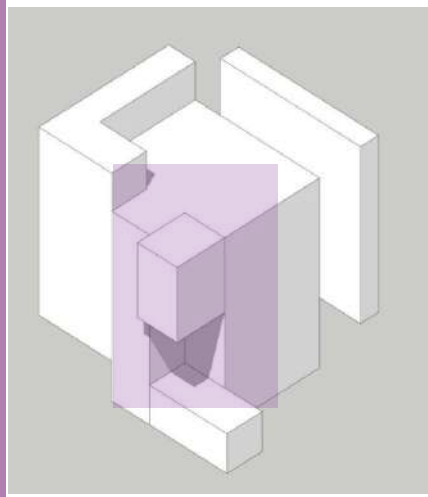
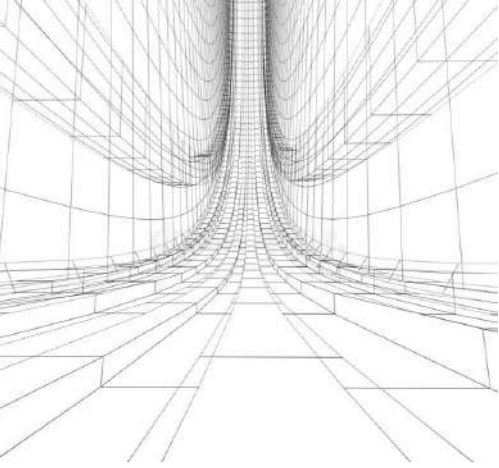
Look out for the dates!

www.nata.in

ADMISSION CRITERIA



The main examination for admission to this programme is through **NATA (National Aptitude Test in Architecture)** which is conducted by the Council of Architecture every year or through appearing in the **JEE Paper II**



NATA EXAM

NATA measures the **aptitude of the applicant** for Architecture, through assessment of **cognitive skills, visual perception and aesthetic sensitivity tests, logical reasoning and critical thinking ability**, etc., besides the learning that the candidate has acquired over the past few years and is related to the specific field of study – **i.e architecture.**

NATA EXAM DATES:

Exam Date 1- April 21 2023

Exam Date 2- May 28 2023

Exam Date 3- July 9 2023

NATA Centre now in Srinagar also

Help Desk Number:
9560707764, 9319275557

VISIT WWW.NATA.IN

WHY JOIN US?

We bring to you- the multidisciplinary study, a profession for the visionaries

Professionals are encouraged to look beyond their specific expertise in order to produce work that is holistic, creative and meets more of their client's needs than they could have done if involved in one discipline alone.



SKETCHING



MULTIPLE SKILL DEVELOPMENT



MODEL MAKING & HANDS ON LEARNING



LEARNING FROM THE MASTERS



DIGITAL & SOFTWARES BASED SKILL DEVELOPMENT

Curriculum based trips, walks and site visits to inculcate practical learning and understanding the real time and on ground scenario.



EDUCATIONAL TOUR TO CHANDIGARH

ENGAGING CURRICULUM WITH STUDY TOURS

HERITAGE WALK- OLD CITY OF AMRITSAR



Documenting Heritage houses of Kashmir

SITE VISITS

Students are taught to study, analyse, express and represent the space and the objects through on site surveys and field experiences



PRACTICAL AND COMPREHENSIVE ON-SITE LEARNING

WORKSHOPS- build what you learn



MULTIDISCIPLINARY APPROACH TO LEARNING AND MULTIPLE SKILL DEVELOPMENT

FURNITURE MAKING



Students making the red and blue chair





DIGITAL LEARNING & SOFTWARE BASED SKILL DEVELOPMENT

AUTO CAD
REVIT
SKETCH UP
PHOTOSHOP
RHINO
LUMION

01



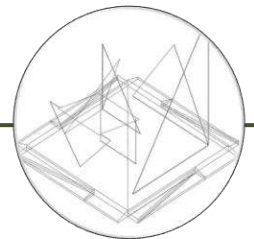
**HIGH TECH
COMPUTER LAB-**
enabling digital learning

02



**3D PRNTERS AND HIGH
QUALITY COLOUR PRINTING**
for realistic design development

03

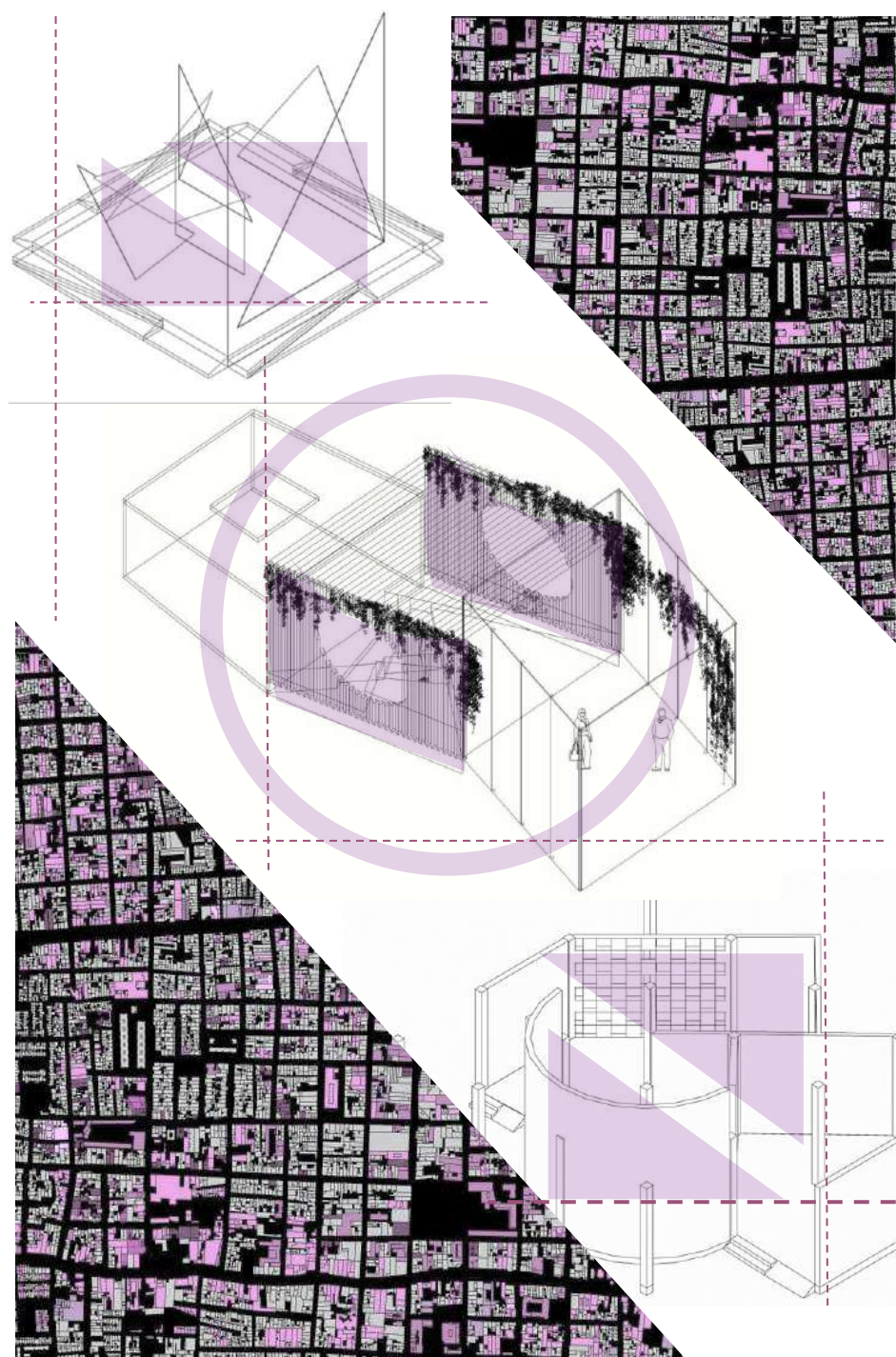


**DIGITAL SKILL
DEVELOPMENT**
Software based courses.

SPECIALISATION & EXPERTISE

After completing their undergraduate degree in architecture, architects can always go for further studies and specialize in the following domains:

- Urban Planning
- Urban Design
- Interior Design
- Landscape Architecture
- Industrial Design
- Project Management
- Architectural Conservation
- & many others



Meet Our Team



MEHRAN QURESHI

B.Arch (MNIT Jaipur), M. Plan (SPADelhi)

Assistant Professor & I/C Head
Department of Architecture
IUST Awantipora

Mehran is an architect and urban planner by training. He has also studied City Design and Social Science at London School of Economics & Political Science, where he was Chevening Scholar. His areas of interest are Architectural Design, History, Theory & Criticism. He has previously worked at SK Das Associated Architects & Urbanists (New Delhi), Institute of Social Sciences (New Delhi), School of Architecture-Kashmir (Higher Education, J&K).



ZOYA KHAN

B.Arch (Pune University, Carleton University),
M.Plan (CEPT, Ahmedabad), IARD (Oxford Brookes)
Assistant Professor
Department of Architecture
IUST Awantipora

Zoya is an architect, urban planner and artist based in Srinagar, Kashmir. She was awarded Chevening Scholarship to study International architectural regeneration and Development at Oxford Brookes University. Her key areas of interest are the built heritage and vernacular building traditions of Kashmir. She has previously worked with the Government on the Srinagar Master plan 2035 and has also taught at School of Architecture – Kashmir (Higher Education, J&K).



SYED IFRAH ASFAR

B.Arch (IGCA Chandigarh),
M. Arch Urban Design (SSAA)

Assistant Professor
Department of Architecture
IUST Awantipora

Syed Ifrah is an architect and Urban Designer who has worked on multiple public projects in New Delhi and U.P. She has been part of the Delhi PWD streetscaping projects, Urban architecture along Najafgarh waterfront, UP cities Vision and Implementation plans and ZDP Patna. She has also taught at School of Architecture and Landscape Design at Shri Mata Vaishno Devi University, Katra.

Meet Our Team



NADIA ALI

B.Arch (JMI, New Delhi), M.Arch
Urban Design (SPA Delhi)

Assistant Professor
Department of Architecture
IUST Awantipora

Nadia is an architect and urban designer. Her areas of interest in research include place-making and contemporary culture. She has worked with various firms in Delhi on ecological sustainability, campus master planning, and city design. She previously taught at School of Architecture, Kashmir (Higher Education, J&K).



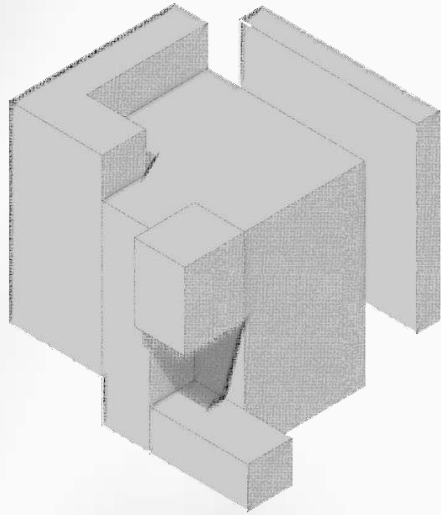
HAKIM DANISH

B.Arch (SCAP Ghaziabad),
M.Arch (JMI, New Delhi)

Assistant Professor
Department of Architecture
IUST Awantipora

Hakim Danish has a master degree in Urban Regeneration from Jamia Millia Islamia, New Delhi. He has been associated with large scale commercial architecture like the World Trade Centre Noda He is highly familiar with industry-leading softwares, building codes, and best practices. Hakim Danish has been a former faculty of School of Architecture, Kashmir.

WANT TO JOIN US?



Do you want to
become an Architect?

JOIN US
IN THE STUDIO & ON SITE

For any queries, write to us at:
hodarchitectureiust@iust.ac.in

